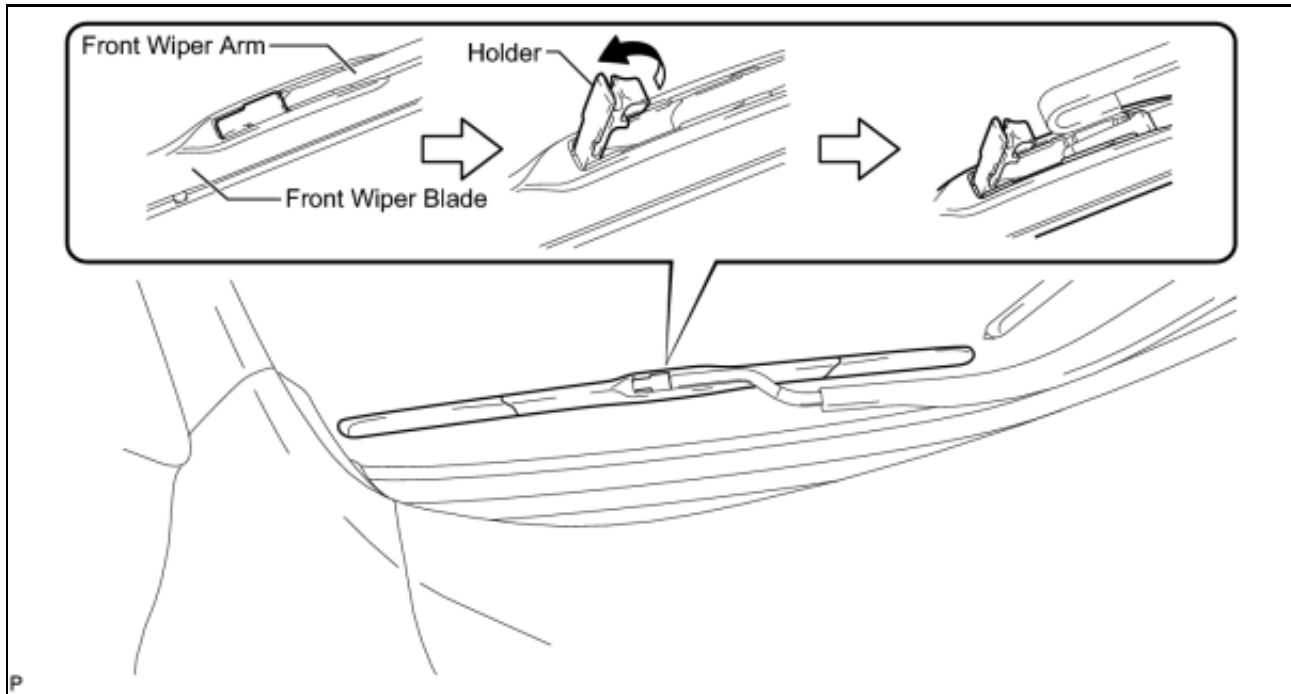


Last Modified: 8-24-2012	6.4 A	From: 200801
Model Year: 2009	Model: Matrix	Doc ID: RM000003FYC001X
Title: WIPER / WASHER: FRONT WIPER RUBBER: REPLACEMENT (2009 Matrix)		

REPLACEMENT

1. REMOVE FRONT WIPER BLADE

(a) Disengage the holder on the front wiper blade.

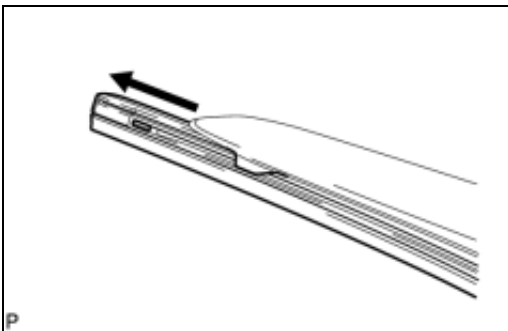


(b) Remove the front wiper blade from the front wiper arm as shown in the illustration.

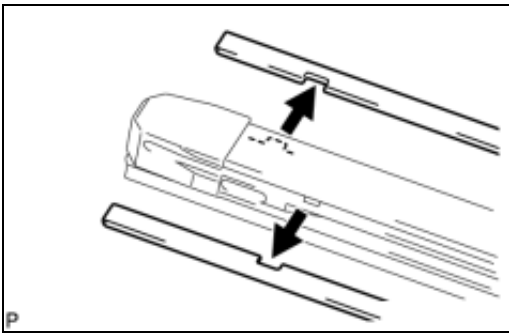
NOTICE:

Do not lower the front wiper arm with the front wiper blade removed. The arm tip could damage the windshield surface.

2. REMOVE WIPER RUBBER

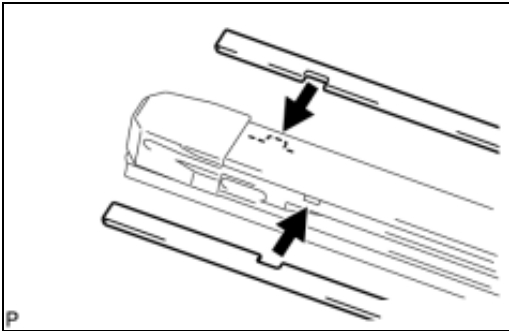


(a) Remove the wiper rubber and the 2 wiper rubber backing plates from the front wiper blade.



(b) Remove the 2 wiper rubber backing plates from the wiper rubber.

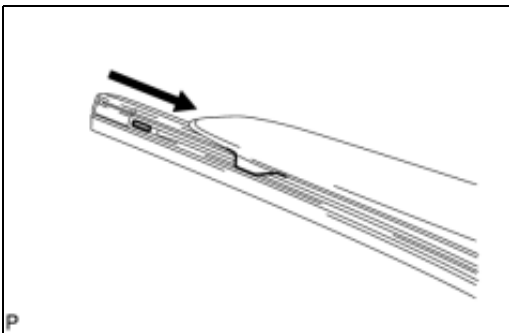
3. INSTALL WIPER RUBBER



(a) Install the 2 wiper rubber backing plates to the wiper rubber.

NOTICE:

- Align the protrusions on the wiper rubber with the notches in the backing plates.
- Align the curves of the backing plates with the curve of the glass.



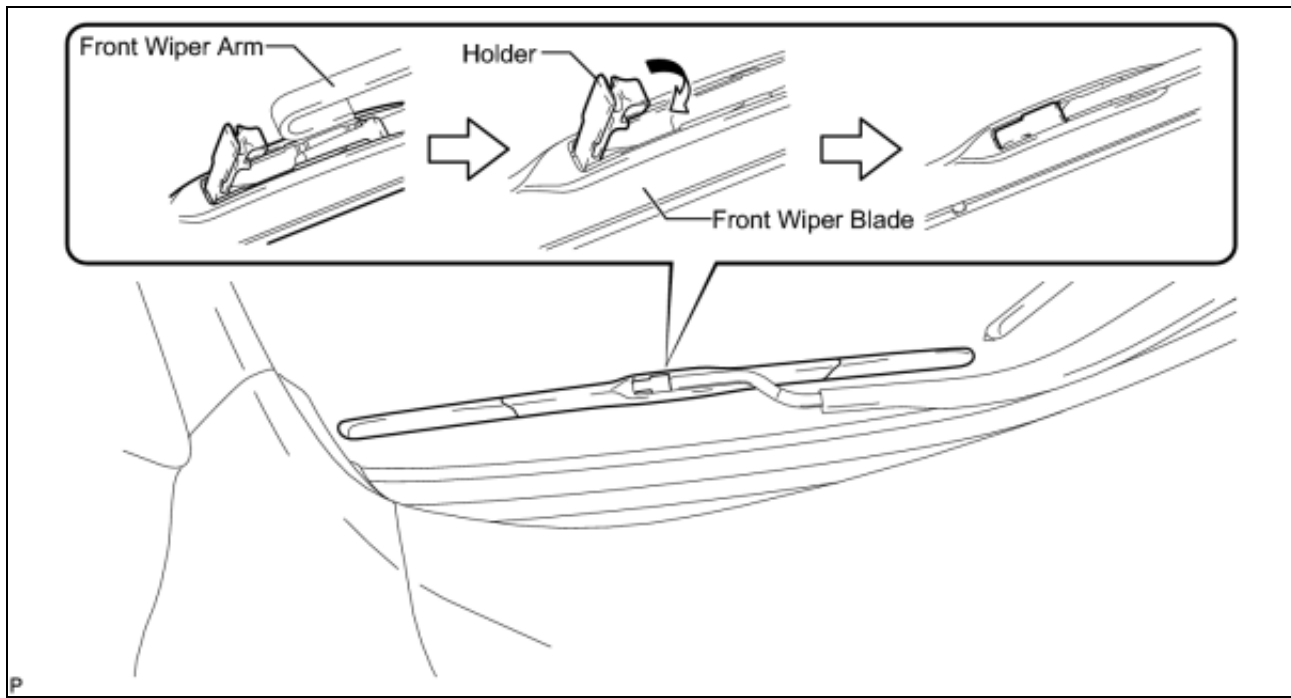
(b) Install the wiper rubber and the 2 wiper rubber backing plates to the front wiper blade with the tip of the rubber (curved end) facing the axis of the wiper arm.

HINT:

Firmly push the wiper rubber into the wiper blade to securely engage them.

4. INSTALL FRONT WIPER BLADE

(a) Install the front wiper blade as shown in the illustration.



(b) Engage the holder on the front wiper blade.

