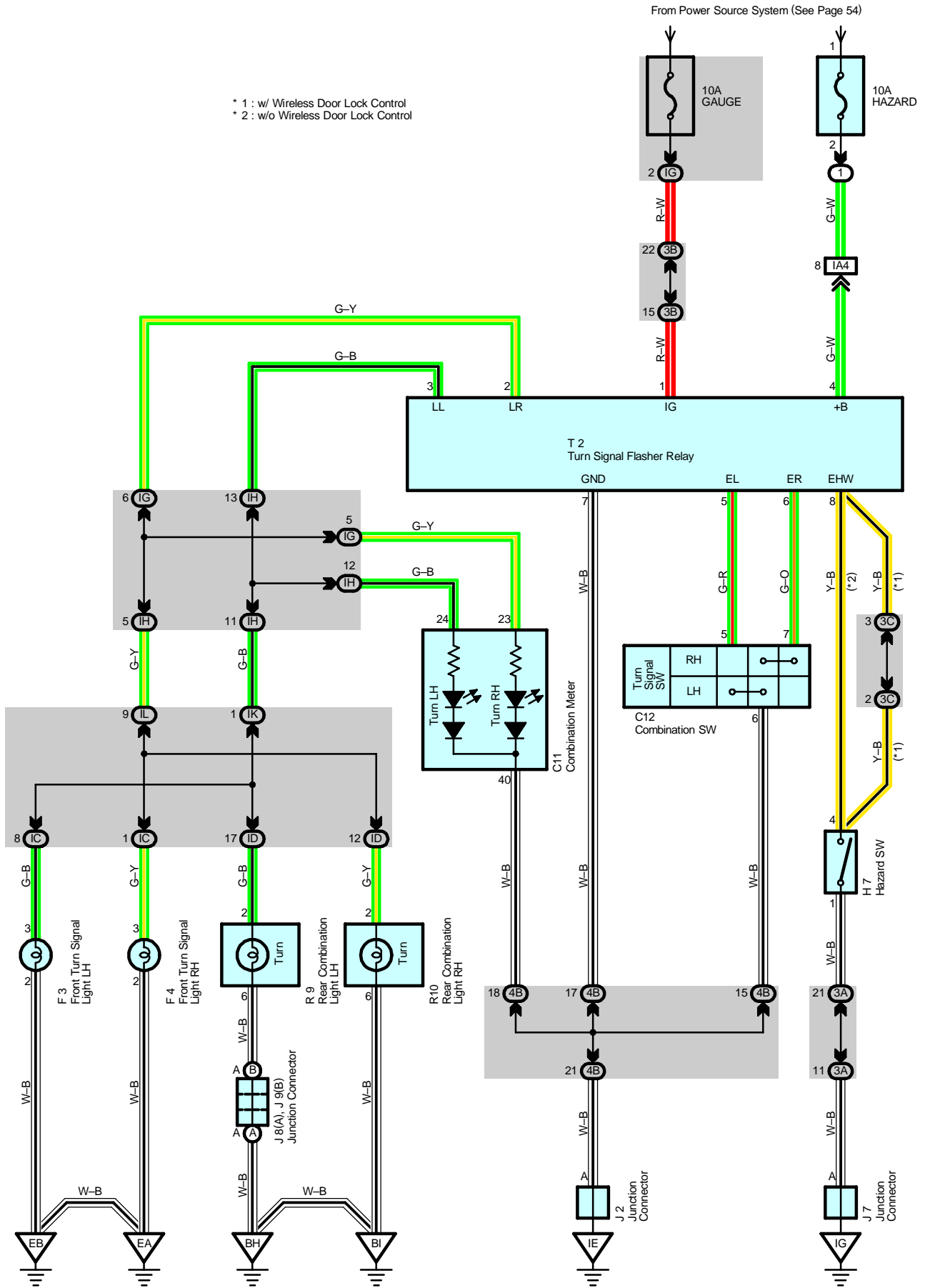


Turn Signal and Hazard Warning Light

* 1 : w/ Wireless Door Lock Control
 * 2 : w/o Wireless Door Lock Control



Service Hints

T2 Turn Signal Flasher Relay

1-Ground : Approx. 12 volts with the ignition SW at ON position

7-Ground : Always continuity

4-Ground : Always approx. 12 volts

: Parts Location

Code	See Page	Code	See Page	Code	See Page
C11	38	F4	36 (1ZZ-FE)	J9	B 40
C12	38	H7	39	R9	41
F3	34 (2ZZ-GE)	J2	39	R10	41
	36 (1ZZ-FE)	J7	39	T2	39
F4	34 (2ZZ-GE)	J8	A 40		

: Relay Blocks

Code	See Page	Relay Blocks (Relay Block Location)
1	23	Engine Room R/B (Engine Compartment Left)

: Junction Block and Wire Harness Connector

Code	See Page	Junction Block and Wire Harness (Connector Location)
IC	25	Engine Room Main Wire and Instrument Panel J/B (Lower Finish Panel)
ID	25	Floor Wire and Instrument Panel J/B (Lower Finish Panel)
IG	25	Instrument Panel Wire and Instrument Panel J/B (Lower Finish Panel)
IH		
IK		
IL		
3A	29	Instrument Panel Wire and RH J/B (Right Side of the Instrument Panel Reinforcement)
3B		
3C		
4B	32	Instrument Panel Wire and Center J/B (Behind the Combination Meter)

: Connector Joining Wire Harness and Wire Harness

Code	See Page	Joining Wire Harness and Wire Harness (Connector Location)
IA4	46	Engine Room Main Wire and Instrument Panel Wire (Instrument Panel Reinforcement LH)

: Ground Points

Code	See Page	Ground Points Location
EA	42 (2ZZ-GE)	Front Right Fender
	44 (1ZZ-FE)	
EB	42 (2ZZ-GE)	Front Left Suspension Tower
	44 (1ZZ-FE)	
IE	46	Behind Combination Meter
IG	46	Right Kick Panel
BH	50	Left Quarter Panel
BI	50	Right Quarter Panel