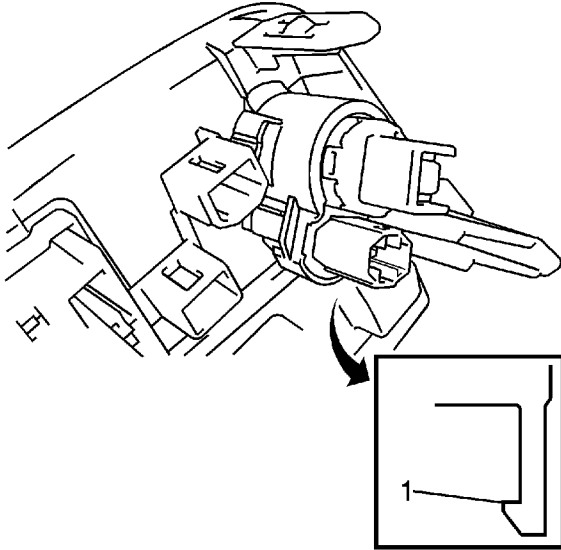


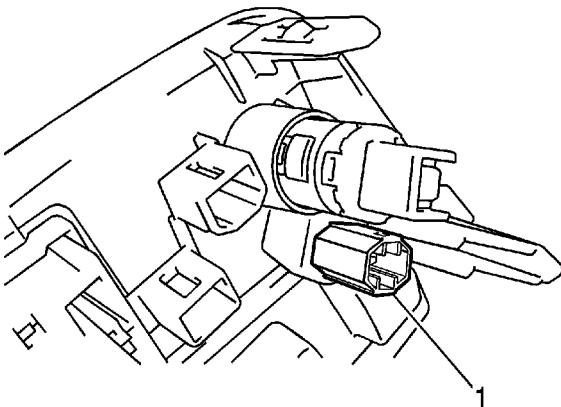
Cigarette Lighter Housing Replacement - Floor Console

Removal Procedure

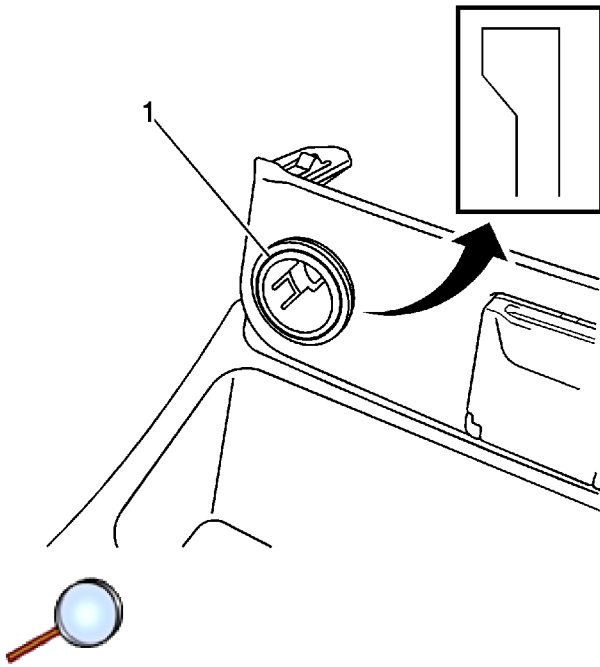
1. Remove the front floor console. Refer to [Front Floor Console Replacement](#).
2. Remove the cigarette lighter knob and element assembly.



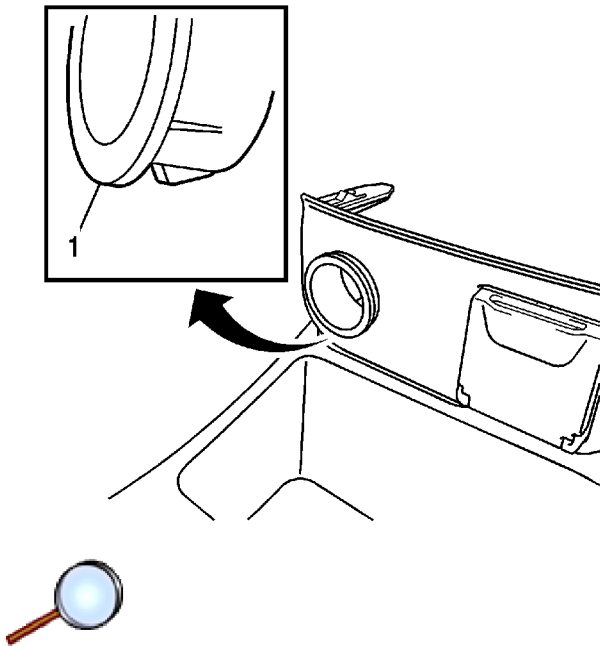
3. Disengage the 2 claws (1) and remove the cigarette lighter cover.



4. Remove the cigarette lighter bulb (1).

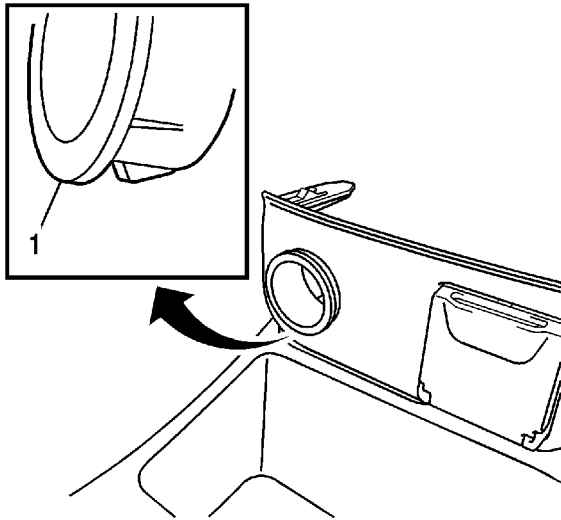


5. Disengage the claw and remove the cigarette lighter assembly (1).

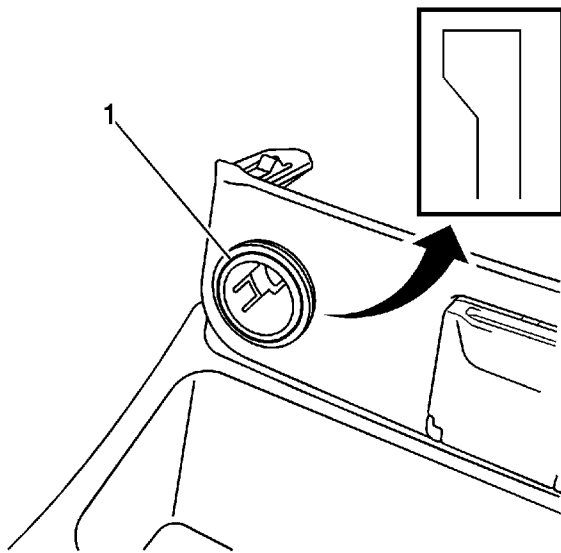


6. Disengage the 2 claws and remove the cigarette lighter bezel stay (1).

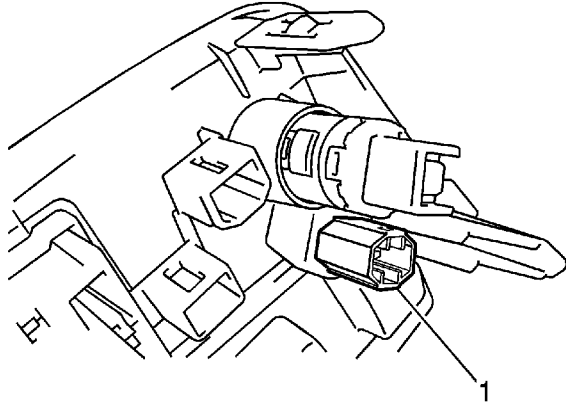
Installation Procedure



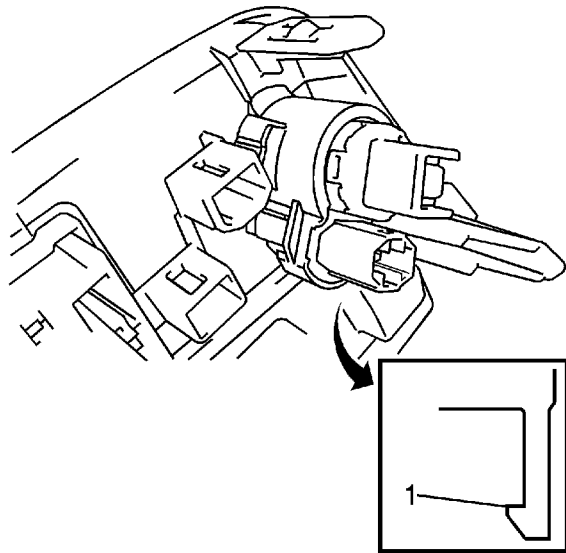
1. Engage the 2 claws to install the cigarette lighter bezel stay (1).



2. Engage the claw and install the cigarette lighter assembly (1).



3. Install the cigarette lighter bulb (1).

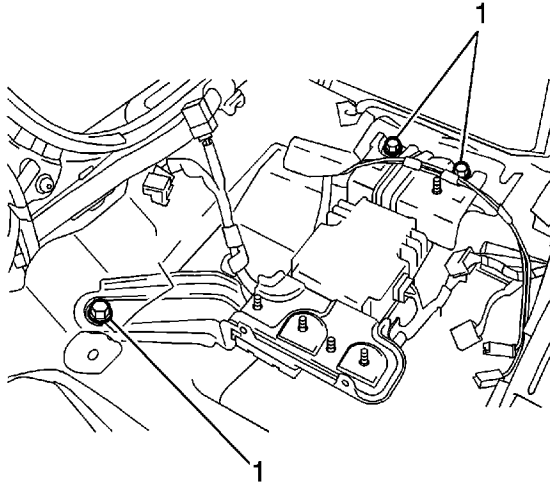


4. Engage the 2 claws (1) to install the cigarette lighter cover.
5. Install the cigarette lighter knob and element assembly.
6. Install the front floor console. Refer to [Front Floor Console Replacement](#).

Accessory AC and DC Power Control Module Replacement

Removal Procedure

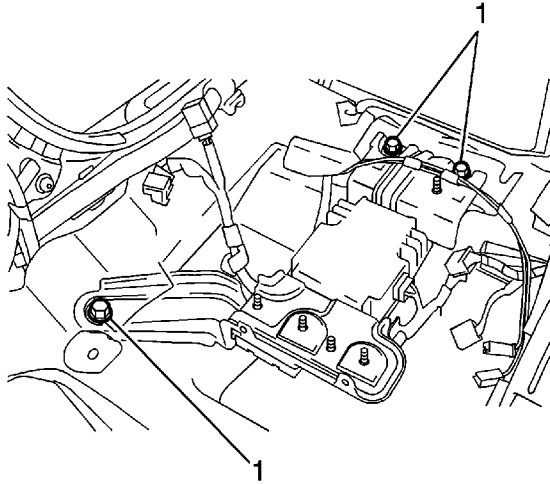
1. Remove the communication interface module. Refer to [Communication Interface Module Replacement](#).



2. Disconnect the clamp and connector.
3. Remove the 3 bolts (1) and the voltage inverter assembly.

Installation Procedure

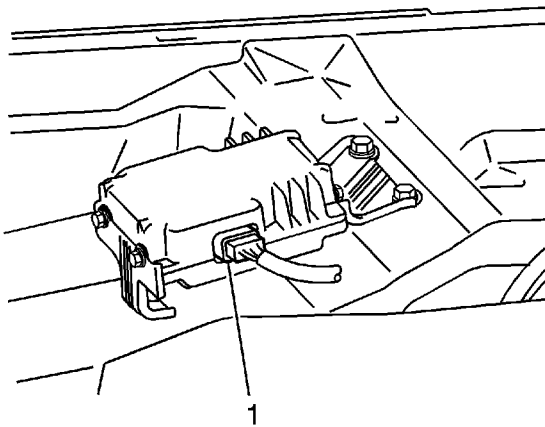
Caution: Refer to [Fastener Caution](#) in the Preface section.



1. Install the voltage inverter assembly with the 3 bolts (1).

Tighten

Tighten the bolts to 19 N·m (14 lb ft).

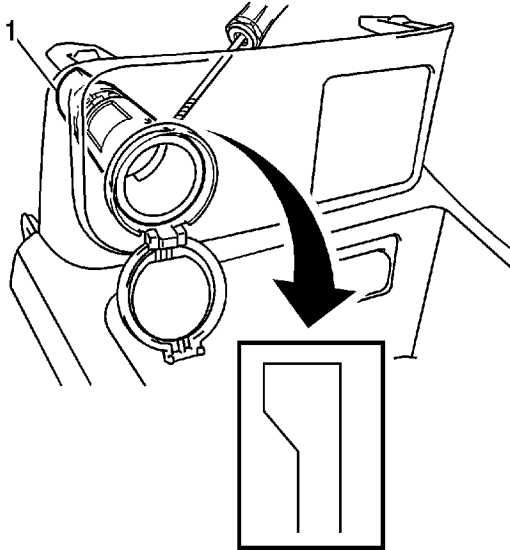


2. Install the communication interface module (1). Refer to [Communication Interface Module Replacement](#).

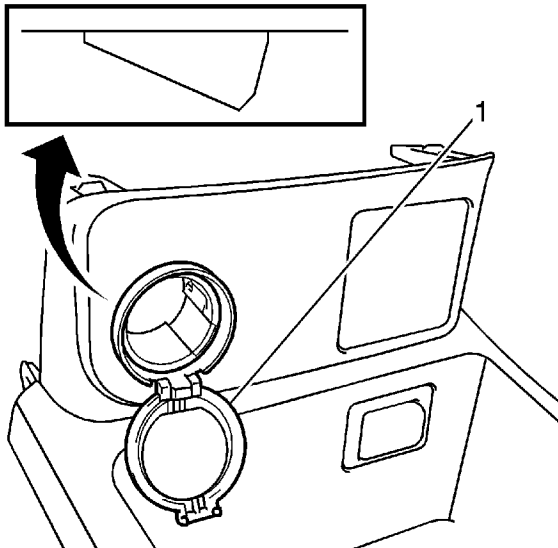
12-Volt Accessory Power Receptacle Replacement

Removal Procedure

1. Remove the front floor console. Refer to [Front Floor Console Replacement](#).
2. Remove the no. 2 switch hole base.



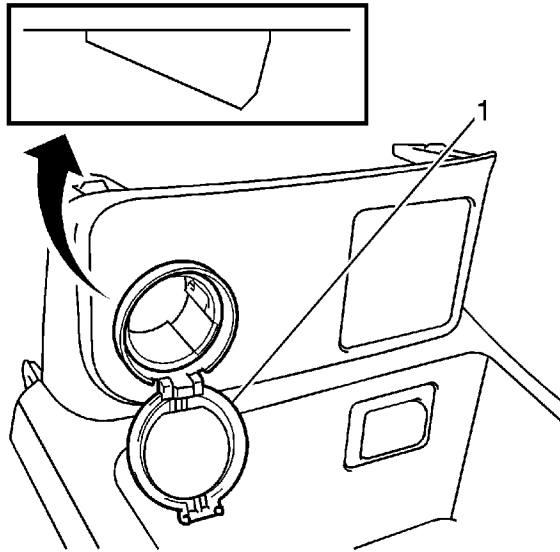
3. Disengage the claw and remove the power point socket assembly (1).



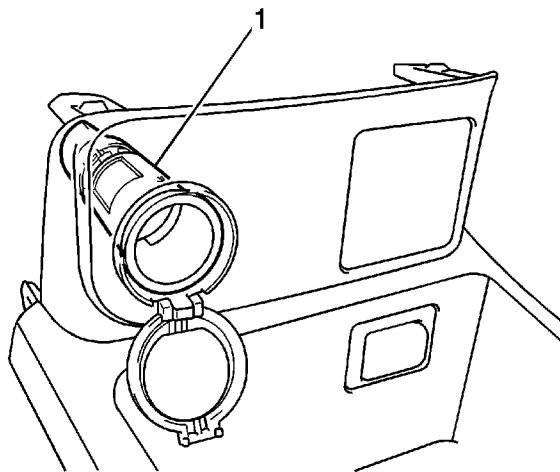
4. Disengage the 2 claws and remove the power outlet socket cover (1).

Installation Procedure

©2009 General Motors Corporation. All rights reserved.



1. Engage the 2 claws and install the power outlet socket cover (1).

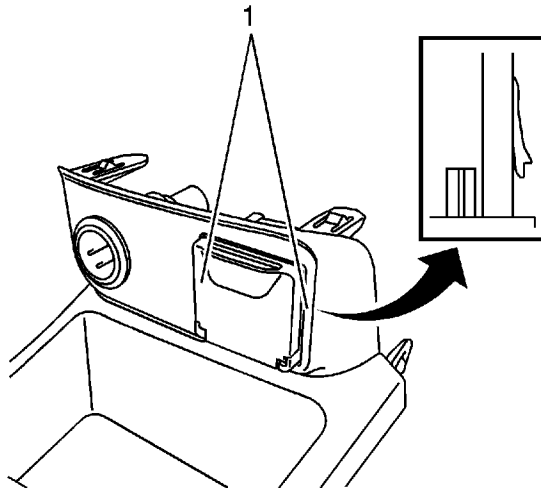


2. Engage the claw and install the power point socket assembly (1).
3. Install the no. 2 switch hole base.
4. Install the front floor console. Refer to [Front Floor Console Replacement](#).

115-Volt AC Instrument Panel Accessory Power Receptacle Replacement

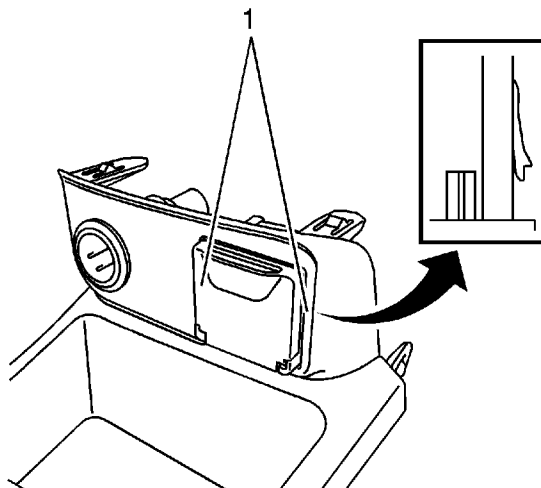
Removal Procedure

1. Remove the front floor console. Refer to [Front Floor Console Replacement](#).
2. Remove the no. 2 switch hole base.



3. Disengage the two claws (1) and remove the power point socket assembly.

Installation Procedure



© 2010 General Motors Corporation. All rights reserved.

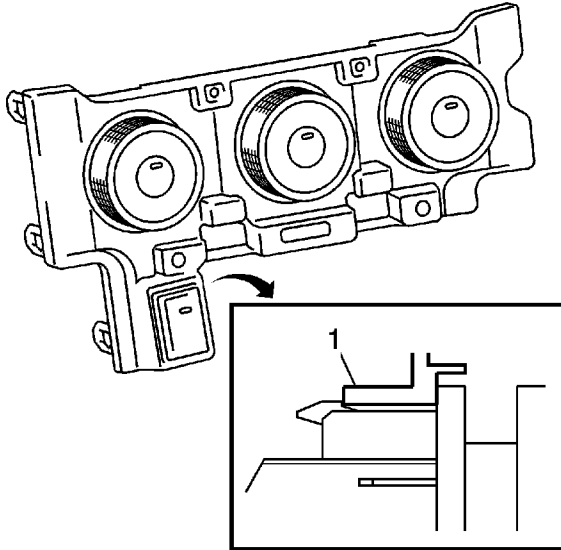


1. Engage the 2 claws (1) to install the power point socket assembly.
2. Install the no. 2 switch hole base.
3. Install the front floor console. Refer to [Front Floor Console Replacement](#).

Accessory Power Receptacle Switch Replacement

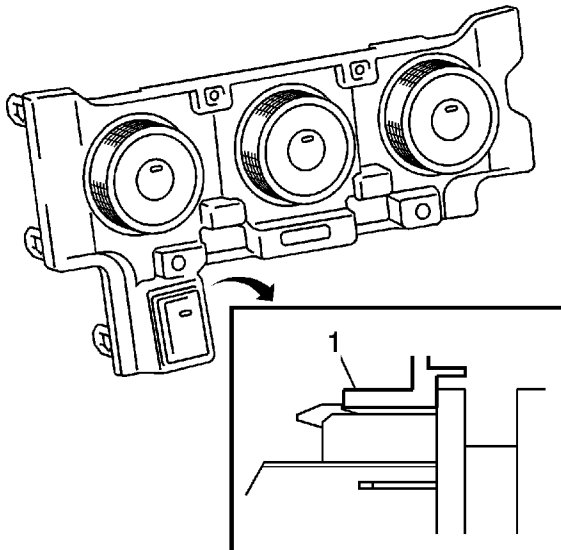
Removal Procedure

1. Remove the heating and air conditioning control panel. Refer to [Heater and Air Conditioning Control Replacement](#).



2. Disengage the 2 claws (1) and remove the main switch assembly.

Installation Procedure





1. Engage the 2 claws (1) and install the main switch assembly.
2. Install the heating and air conditioning control panel. Refer to [Heater and Air Conditioning Control Replacement](#).