

# 1ZZ-FE Engine Oil Level Specification Update

**Service Category** Engine/Hybrid System

**Section** Lubrication

**Market** USA

Toyota Supports  
 ASE Certification 

## Applicability

YEAR(S)	MODEL(S)	ADDITIONAL INFORMATION
2000 – 2005	Celica	Engine(s): 1ZZ VDS(s): DR32T, DR38T
2003 – 2005	Corolla	Engine(s): 1ZZ VDS(s): BR30E, BR32E, BR38E
2003 – 2005	Matrix	Engine(s): 1ZZ VDS(s): KR30E, KR32E, KR38E, LR30E, LR32E, LR38E

## Introduction

The 1ZZ-FE engine oil capacity and oil level gauge assembly (dipstick) has been updated for specific model year Celica, Corolla, and Matrix vehicles. Refer to the information below for the updated capacity and part number information.

## Parts Information

PREVIOUS PART NUMBER	CURRENT PART NUMBER	PART NAME	QTY
15301-22030	15301-22050	Gauge Sub-assembly, Oil Level	1

## Warranty Information

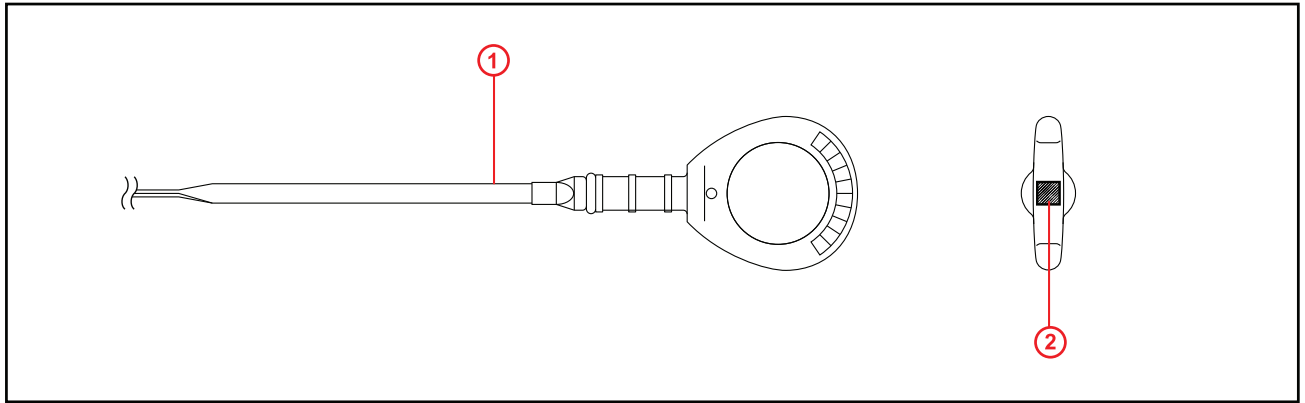
OP CODE	DESCRIPTION	TIME	OFF	T1	T2
N/A	Not Applicable to Warranty	–	–	–	–

# 1ZZ-FE Engine Oil Level Specification Update

## Part Identification

The updated oil level dipstick has an identification mark as indicated in Figure 1.

**Figure 1.**



<b>1</b>	<b>Oil Level Gauge Sub-assembly</b>
----------	-------------------------------------

<b>2</b>	<b>Identification Mark</b>
----------	----------------------------

## Specification Chart

UPDATED ENGINE OIL CAPACITY SPECIFICATIONS	MODELS	DRAIN AND REFILL WITH OIL FILTER CHANGE	DRAIN AND REFILL WITHOUT OIL FILTER CHANGE
The capacity has increased 0.5 liters (0.5 U.S. qts., 0.4 Imp. qts.)	Celica	4.2 liters (4.4 U.S. qts., 3.7 Imp. qts.)	4.0 liters (4.2 U.S. qts., 3.5 Imp. qts.)
	Corolla		
	Matrix		